



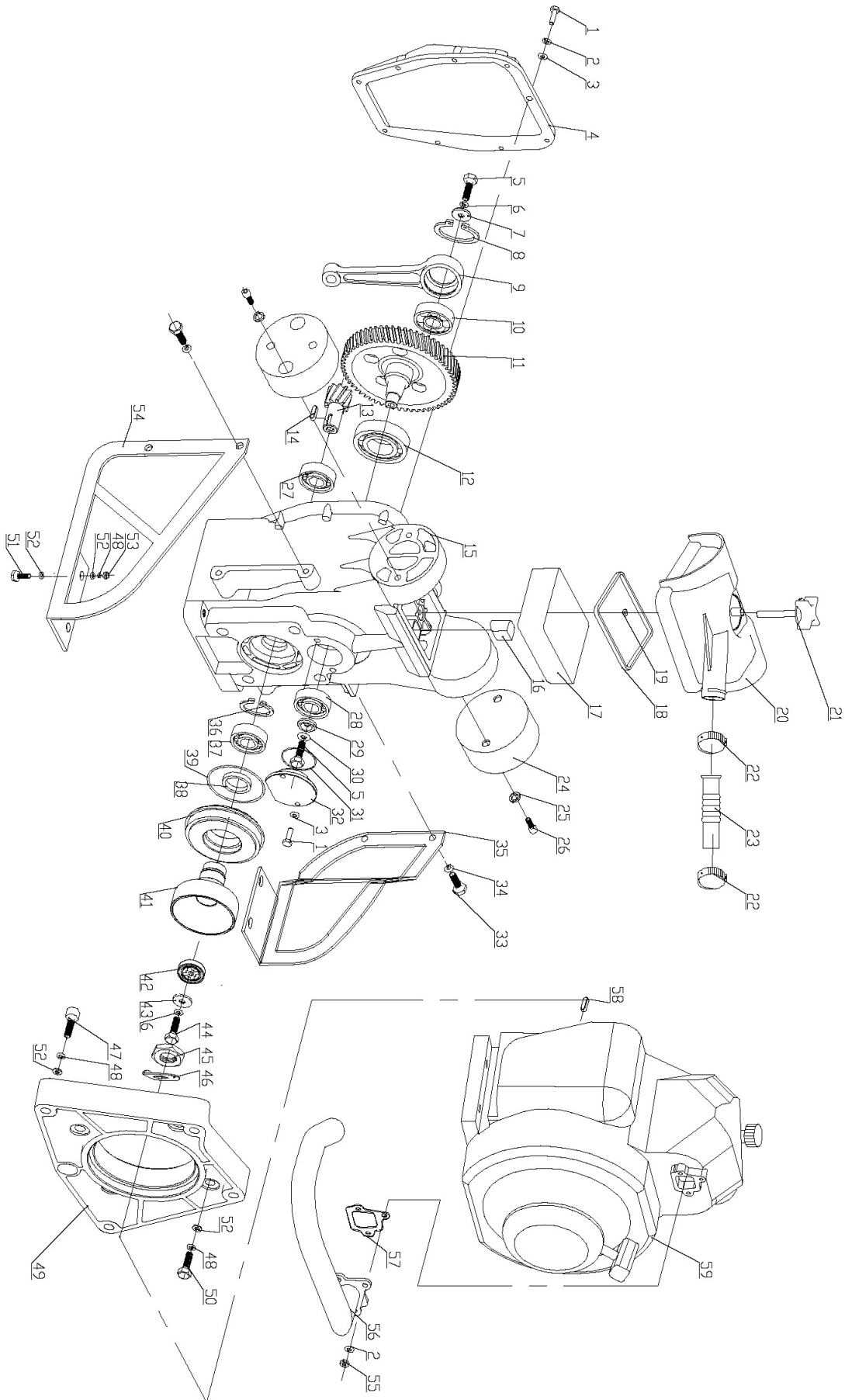
MASALTA[®]



PARTS MANUAL TAMPING RAMMER MR85D/EMR85M



PARTS LIST 1
MR85D/EMR85M



PARTS LIST 1

MR85D/EMR85M

CRANK CASE & ENGINE

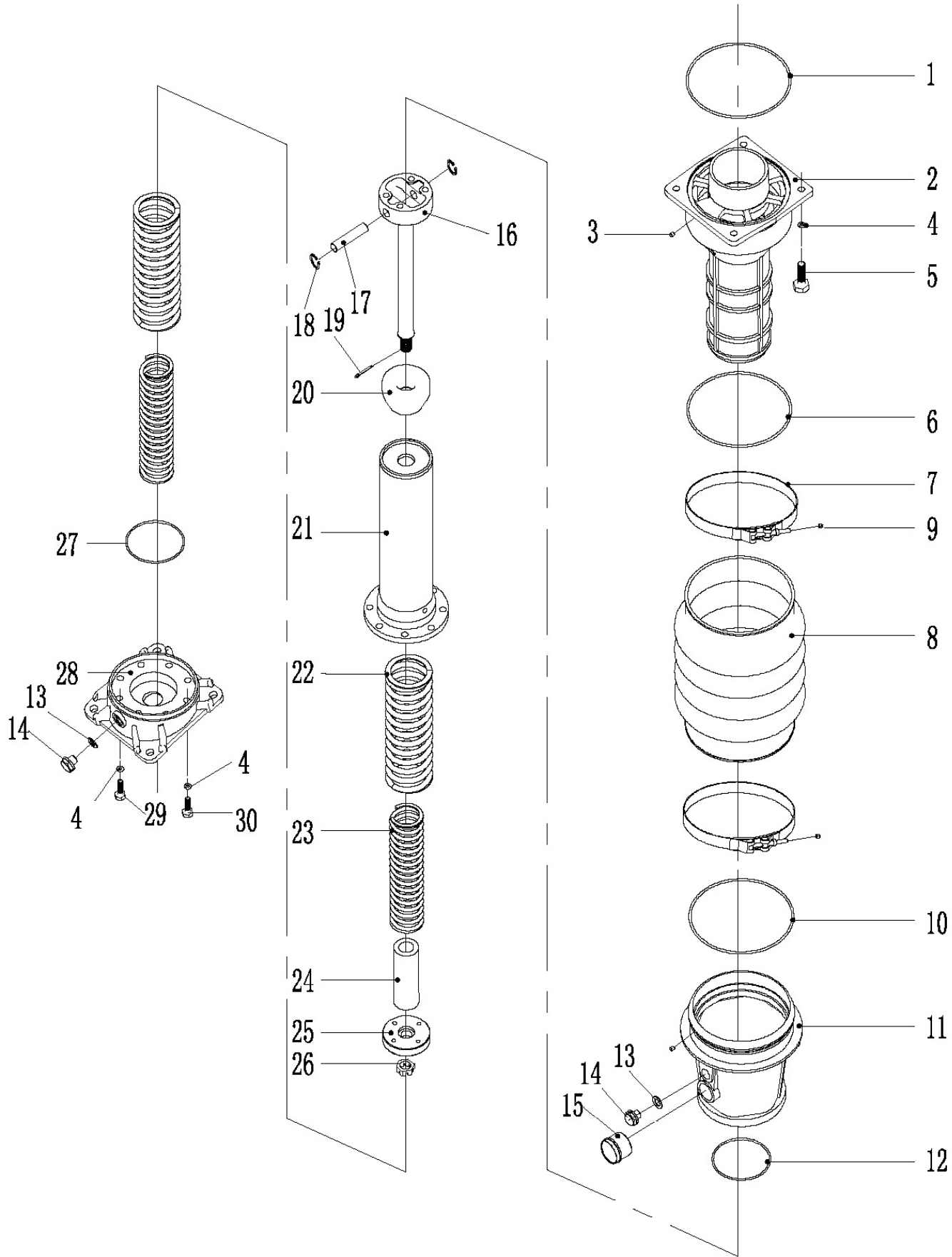
ITEM NO.	PART NO.	DESCRIPTION	QTY
1	GB5783-M6X20	BOLT M6X20-GB5783	9
2	GB97.1-6	WASHER 6-GB97.1	12
3	GB93-6	SPRING WASHER 6-GB93	9
4	MRS80-804002B	GEAR COVER	1
5	GB5783-M8X25	BOLT M8X25-GB5783	1
6	GB93-8	SPRING WASHER 8-GB93	1
7	MRS80-804302	RETAINING RING	1
8	GB893.1-52	RETAINING RING 52-GB893.1	1
9	MRS80-804301A	CONNECTING ROD	1
10	GB276-6304	BEARING 6304-GB276	1
11	MRS80-804101C	CRANK GEAR FOR MR75R	1
12	6207	BEARING 6207-GB276	1
13	MRS80-804201C	GEAR SHAFT FOR MR75R	1
14	GB1096-6X20	KEY FOR MR75R	1
15	MRD85-804001	CRANK CASE	1
16	MRS80-804005	ELEMENT	1
17	MRS80-804403	AIR CLEANER ELEMENT	1
18	MRS80-804404	PACKING, AIR CLEANER	1
19	GB3452.1-7.5X1.8	O-RING 7.5X1.8	1
20	MRS80-804401	AIR CLEANER COVER	1
21	MRS80-804402	KNOB	1
22	MTSP-H003	HOSE CLAMP 20-32	2
23	MRD85-0001	INTAKE PIPE	1
24	MRS80-806000	VIBRATION DAMPER	2
25	GB93-10	SPRING WASHER 10-GB93	4
26	GB70-M10X20	HEXAGONAL BOLT M10X20-GB70	4
27	6204	BEARING 6204-GB276	1
28	6204	BEARING 6204-GB276 (CHINESE)	1
29	MRS80-804102	RETAINING RING	1
30	GB93-8	SPRING WASHER 8-GB93	1
31	GB3452.1-43.7X1.8	O-RING 43.7X1.8-GB3452.1	1
32	MRS80-804004A	BEARING COVER FOR MR75R	1
33	GB5783-M8X20	BOLT M8X20-GB5783	4
34	GB93-8	SPRING WASHER 8-GB93	4
35	MRD85-805002/R	PROTECTION FRAME, RIGHT	1
36	GB/894.1-35	RETAINING RING 35-GB/T894.1-1986	1
37	6007Z	BEARING 6007Z-GB278	1
38	GB/T13871-40X52X8-FB	SEAL 40X52X8-F GB/T13871-1992	1
39	GB3452.1-95X2.65	O-RING 95X2.65-GB3452.1	1
40	EMR70-8000	SPACE FOR EMR70H	1

PARTS LIST 1 MR85D/EMR85M

CRANK CASE & ENGINE

ITEM NO.	PART NO.	DESCRIPTION	QTY
41	MRS80-807000b	CLUTCH DRUM FOR MR75R	1
42	MRS80-809000	CLUTCH ASSY.	1
43	MRS80-804202	RETAINING RING	1
44	GB5783-M8X30	BOLT M8X30-GB5783	1
45	GB/T808-1988-M12X1.25	NUT M12X1.25 GB/T808-1988	1
46	MRS80-809006	WASHER	1
47	GB70-M10X50	HEXAGONAL BOLT M10X50-GB70	4
48	GB93-10	SPRING WASHER 10-GB93	8
49	MRD85-0002	FLANGE FOR YANNMAR ENGINE	1
	MRM85-0002	FLANGE FOR MASALTA ENGINE	1
50	GB5783-M10X50	BOLT M10X50-GB5783	4
51	GB5783-M10X40	BOLT M10X40-GB5783	4
52	GB97.1-10	WASHER 10-GB97.1	8
53	GB889-M6	LOCK NUT M10	4
54	MRD85-805002/L	PROTECTION FRAME, LEFT	1
55	GB889-M6	LOCK NUT M6	3
56	MRD85-0003	INLET PIPE	1
57	MRD85-0004	SEAL WASHER	1
58	4*16	KEY	1
59	M48D	MASALTA ENGINE M48D	1
	YANNMAR 148AE-DYSH	YANNMAR 148AE-DYSH	
	YANNMAR 148AE-N6	YANNMAR 148AE-N6	

PARTS LIST 2
MR85D/EMR85M



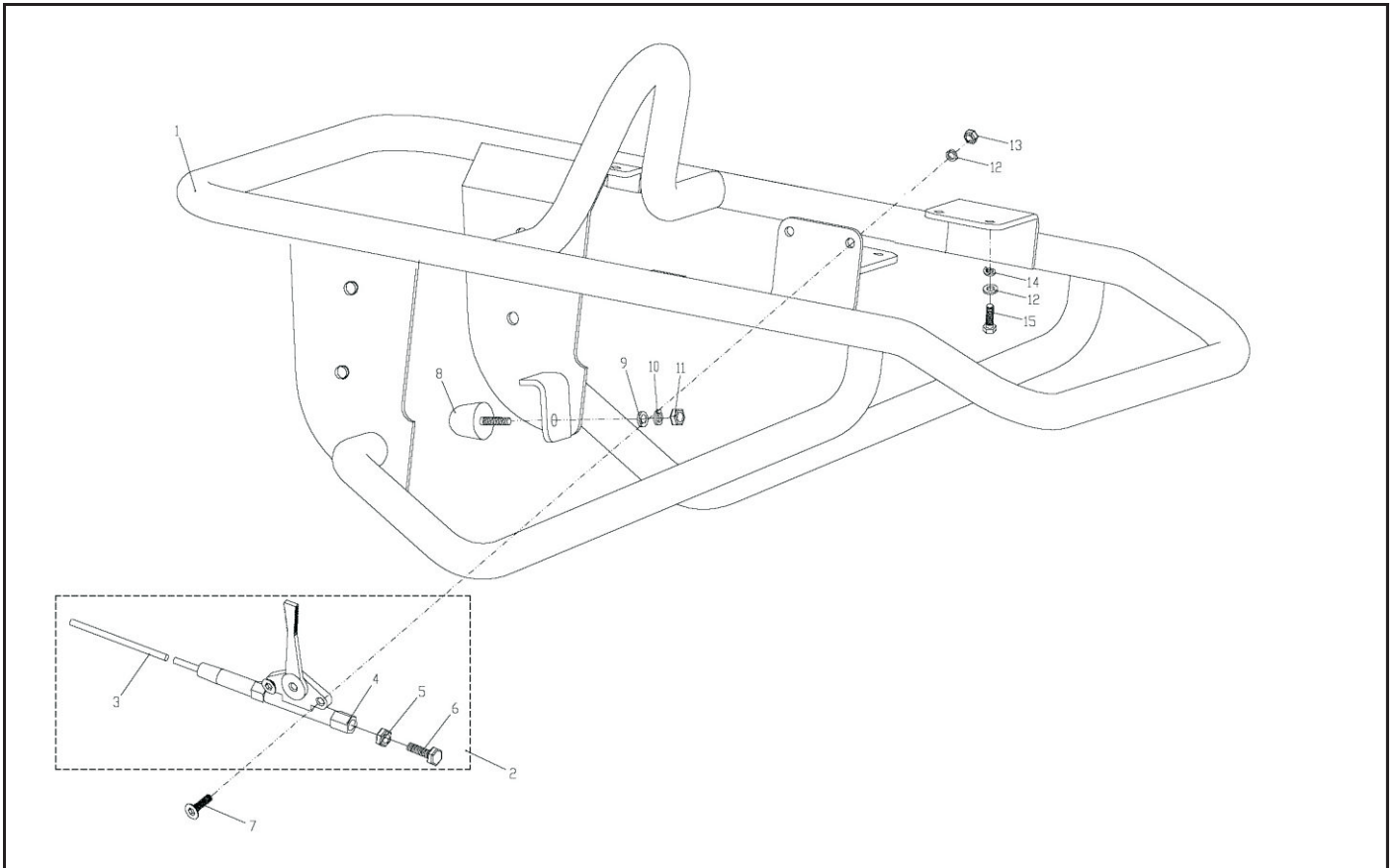
PARTS LIST 2

MR85D/EMR85M

GUID CYLINDER & SPRING ASSY.

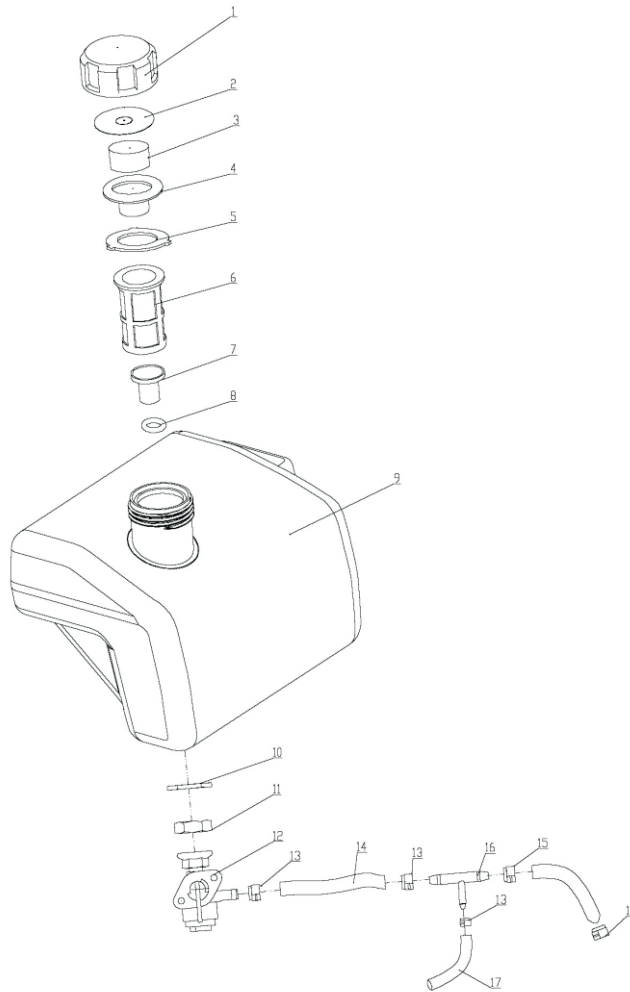
ITEM NO.	PART NO.	DESCRIPTION	QTY
1	GB3452.1-160×5.3	O-RING 160X5.3-GB3452.1	1
2	MRS80-803201A	GUIDE CYLINDER	1
3	MRS80-803202	PIN 6X8-GB119	2
4	GB93-10	SPRING WASHER 10-GB93	12
5	GB5783-M10X35	BOLT M10X35-GB5783	4
6	GB3452.1-160×3.55	O-RING 160X3.55-GB3452.1	1
7	TJBC-178-186	BELLOW CLAMP	2
8	MRS80-803203	BELLOW	1
9	GB889-M8	NUT M8 GB/T6170-1986	2
10	GB3452.1-160×3.55	O-RING 160X3.55-GB3452.1	1
11	MRS80-803111B	PROTECTION SLEEVE	1
12	GB3452.1-95×2.65	O-RING 95X2.65-GB3452.1	1
13	MRS80-803112	COPPER WASHER 14	4
14	JB/ZQ4450-M14×1.5	PLUG M14X1.5	2
15	GB1160.2-M24×1.5	LEVEL GAUGE M24X1.5-GB1160.2	1
16	MRS80-803301A	PISTON ROD	1
17	MRS80-803302	PISTON PIN	1
18	GB893.1-15	RETAINING RING 15-GB893.1	2
19	GB/T91-3.2×32	PIN 3.2X32 GB/T91-1986	1
20	MRS80-803304	STOPPER, UPPER	1
21	MRS80-803102A	SPRING CYLINDER	1
22	MRS80-803001B	SPRING, OUTER FOR EMR85M	2
	MRD80-803001	SPRING, OUTER FOR MR85D	2
23	MRS80-803002B	SPRING, INNER FOR EMR85M	2
	MRD80-803002	SPRING, INNER FOR MR85D	2
24	MRS80-803305	STOPPER, LOWER FRO EMR85M	1
	MRD85-803305	STOPPER, LOWER FRO MR85D	1
25	MRS80-803303	PISTON END	1
26	GB/T6178-M18×1.5	NUT M18X1.5	1
27	GB3452.1-87.5×3.55	O-RING 87.5X3.55	1
28	MRS80-803101B	FOOT PLATE	1
29	GB70-M10×20	HEXAGONAL BOLT M10X20-GB70	4
30	GB70-M10×40	HEXAGONAL BOLT M10X40-GB70	4

PARTS LIST 3
MR85D/EMR85M



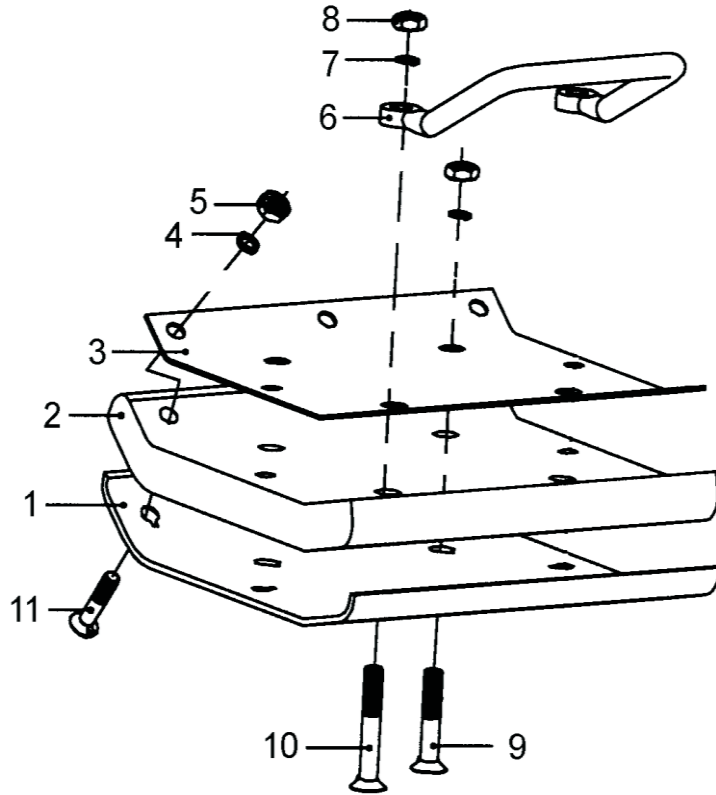
ITEM NO.	PART NO.	DESCRIPTION	QTY	REMARK
1	MRD80-805001	HANDLE ASSEMBLY	1	
2	MRD80-9910	THROTTLE CONTROL ASSY	1	
3	MRS62-9910-02	THROTTLE CABLE	1	
4	MRS62-9910-01	THROTTLE LEVER	1	
5	GB41-M6	HEX NUT M6	1	
6	GB5783-M630	HEX HEAD SCREW M6X30	1	
7	GB70.3-M614	SOCKET HEAD SCREW M6X14	2	
8	MRS80-805004	RUBBER	1	
9	GB97.1-8	FLAT WASHER 8	1	
10	GB93-8	SPRING WASHER 8	1	
11	GB889-M8	HEX LOCK NUT M8	1	
12	GB97.1-6	FLAT WASHER 6	10	
13	GB889-M6	HEX LOCK NUT M6	2	
14	GB93-6	SPRING WASHER 6	8	
15	GB5783M616	HEX HEAD SCREW M6X16	8	

PARTS LIST 4
MR85D/EMR85M



ITEM NO.	PART NO.	DESCRIPTION	QTY	REMARK
1	MRS80-801002	FUEL TANK CAP	1	
2	MRS80-801003	PACKING, FUEL TANK	1	
3	MRS80-804410	SMALL ELEMENT		
4	MRS80-801004	HOLDER, FUEL TANK	1	
5	MRS80-801005	PACKING, FUEL TANK	1	
6	MRS80-801007	OIL STRAINER	1	
7	MRS80-801006	CONNECTOR	1	
8	GB3452.1-143.55	O-RING	1	
9	MRS62-1001	FUEL TANK	1	
10	GB97.1-14	FLAT WASHER 14	1	
11	GB97.1-M141.5	HEX NUT M14X1.5	1	
12	MRS80-801008	FUEL COCK	1	
13	Q673B-9	HOSE CLAMP	3	
14	MRS80-801011A	FUEL HOSE	1	
15	Q673B-12	HOSE CLAMP	2	
16	JT-5	T TYPE PIPE	1	
17	MRD85-801001	FUEL HOSE	1	
18	MRS80-801011B	FUEL HOSE	1	

**PARTS LIST 5
MR85D/EMR85M**

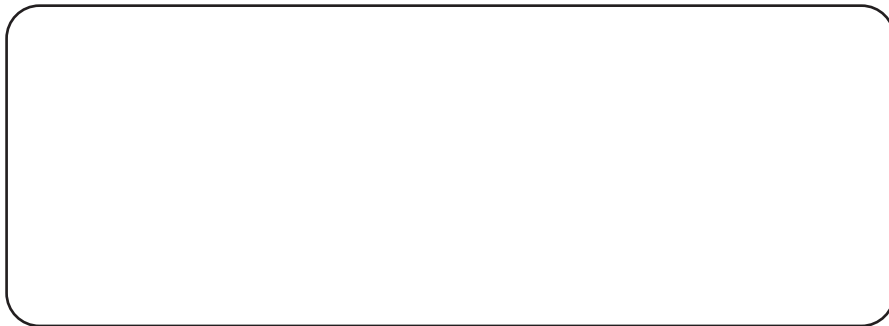


FOOT ASSY.

ITEM NO.	PART NO.	DESCRIPTION	QTY
1	MRS80-802001	METAL SHEET	1
2	MRS80-802002	FOOT	1
3	MRS80-802003	FOOT COVER	1
4	GB93-10	SPRING WASHER 10-GB93	7
5	GBT889-M10	HEXAGONAL NUT M10-GB889	7
6	MRS80-802006	LIFTING HOOK	1
7	GB93-12	SPRING WASHER 12-GB93	4
8	GBT889-M12	HEXAGONAL NUT M12-GB889	4
9	MRS80-802004-70	SCREW M12X65-GB11	2
10	MRS80-802004-75	SCREW M12X75-GB11	2
11	MRS80-802005	SCREW M10X50-GB11	7



Distributed By



MASALTA ENGINEERING CO., LTD

Add: Weisi Road, Baohe Industrial Estate, Hefei, China
Tel: 86-551-4846600, 4846601 Fax: 86-551-4846616
E-mail: sales@masalta.com.cn, masalta@mail.hf.ah.cn,
[Http://www.masalta.com.cn](http://www.masalta.com.cn)